

FIG. 1

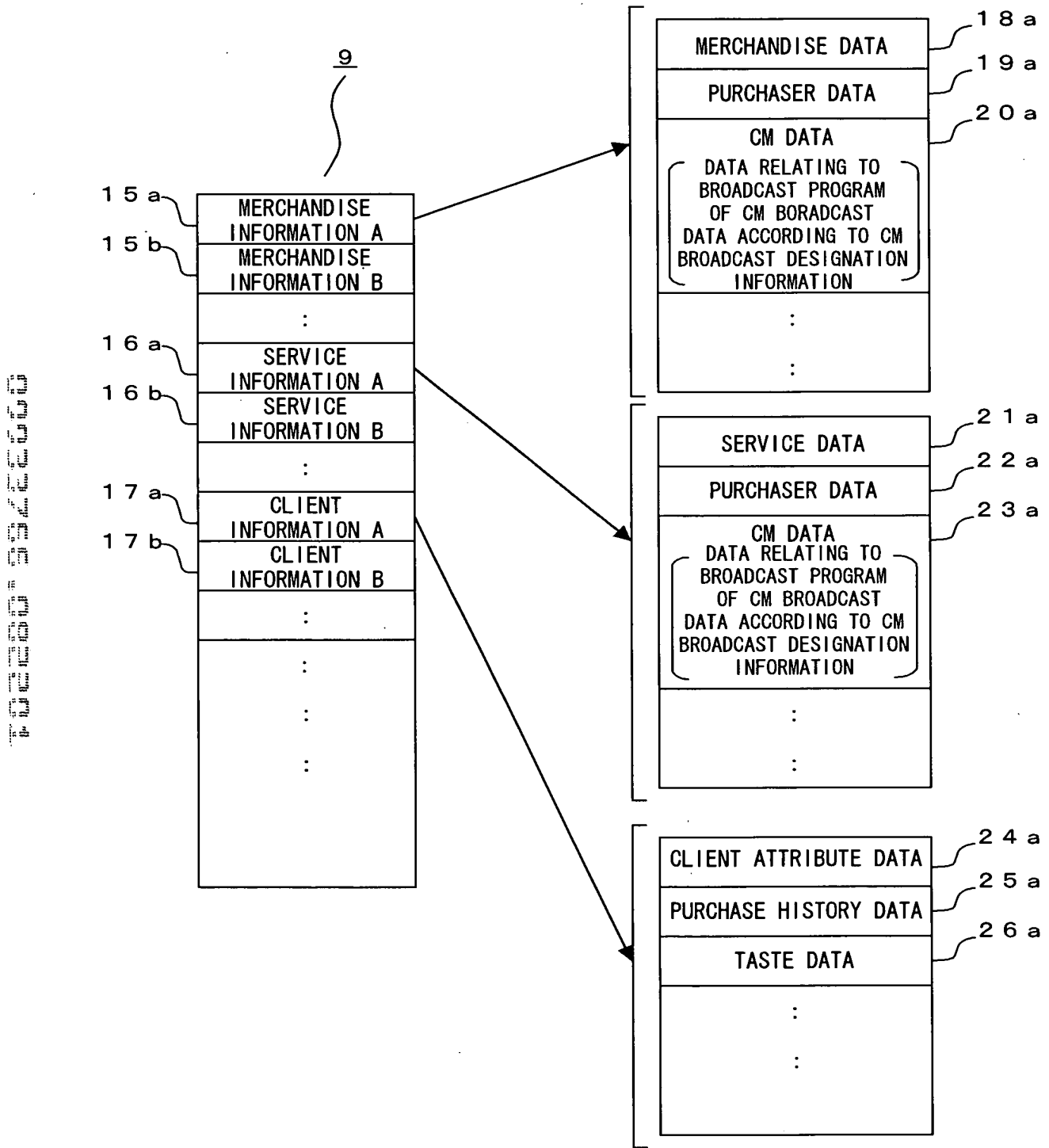


FIG. 2

APPROVED	O.G. FIG.	
BY	CLASS	SUBCLASS
DRAFTSMAN		

```
<product>  
  <name>A beer</name>  
  <no>975357</no>  
  <type>6bottles</type>  
  <¥price> 1800</¥price>  
  <characteristic>  
    <taste>very bitter</taste>  
    <degree>4%</degree>  
    <material>hop, malt</material>  
    <image src="image/Abeer.jpg"/>  
  </characteristic>  
</product>
```

FOR THE RECORD

FIG. 3



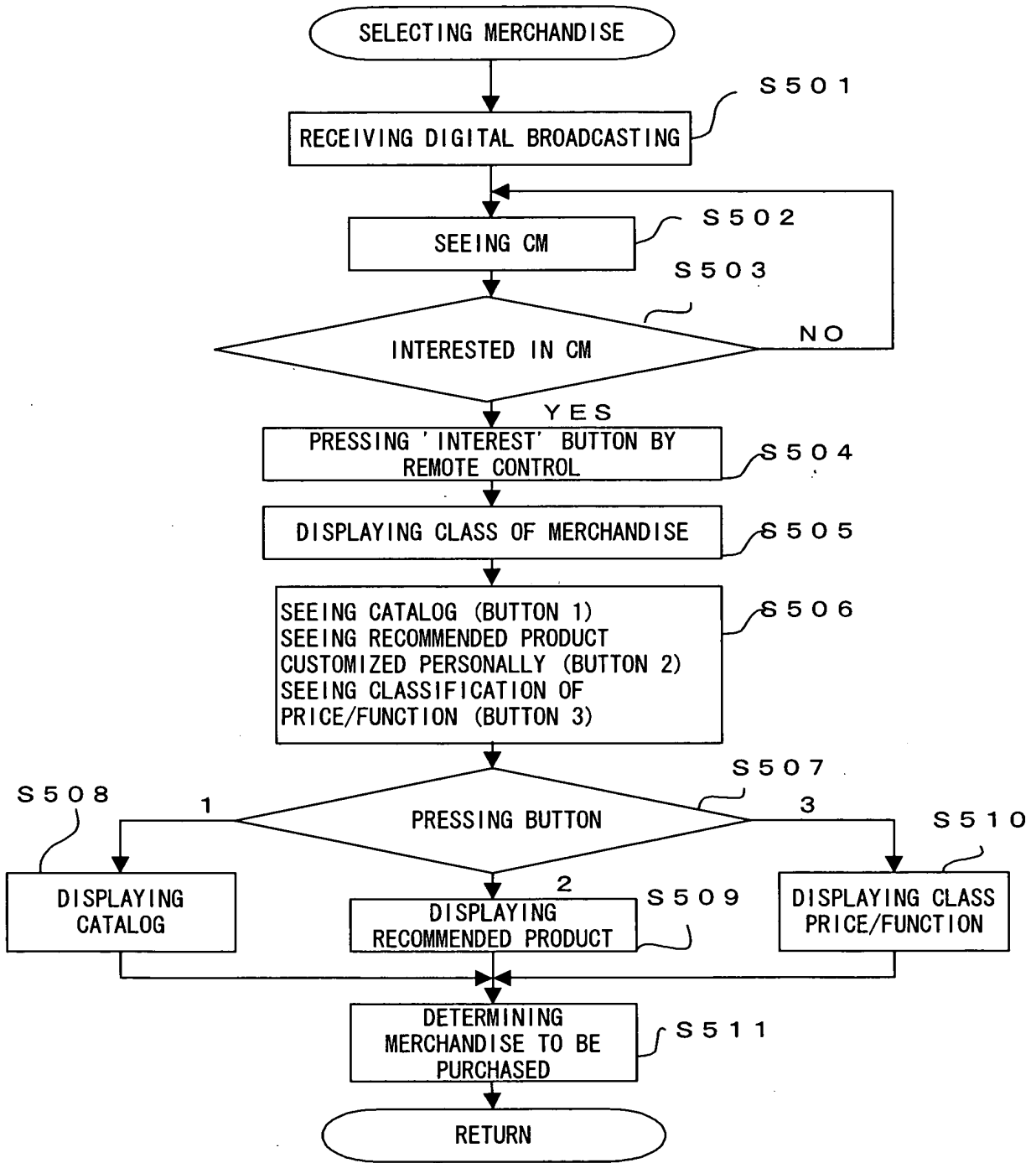


FIG. 5

APPROVED	O.G. FIG.	
BY	CLASS	SUBCLASS
DRAFTSMAN		

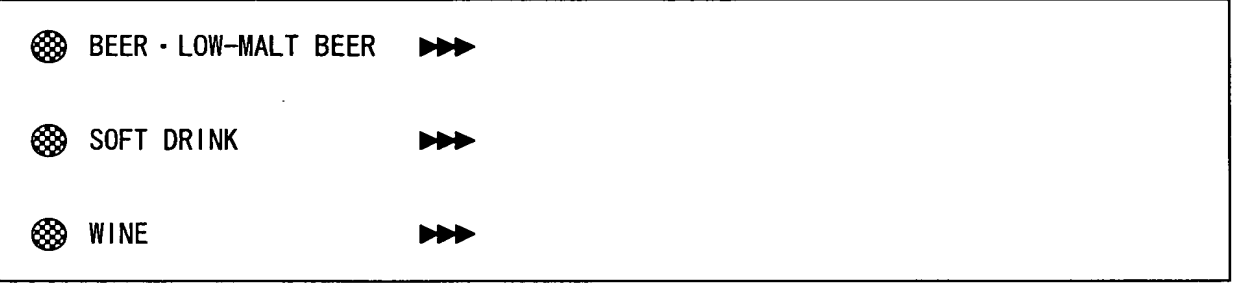


FIG. 6A

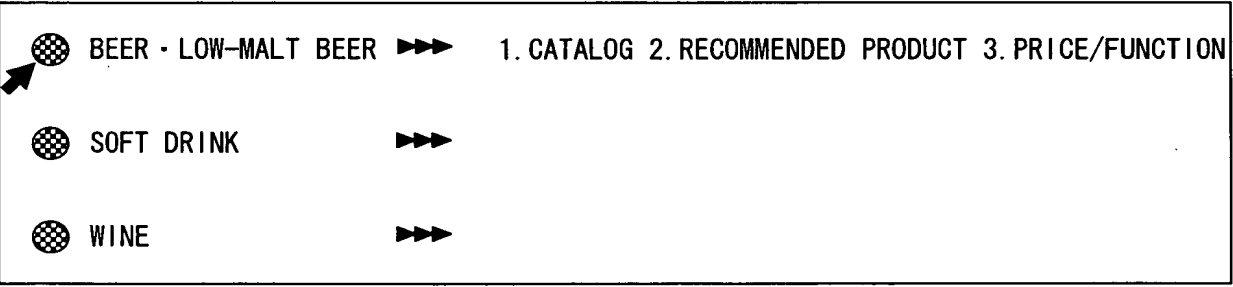


FIG. 6B

P O S T E R S

FIG. 7

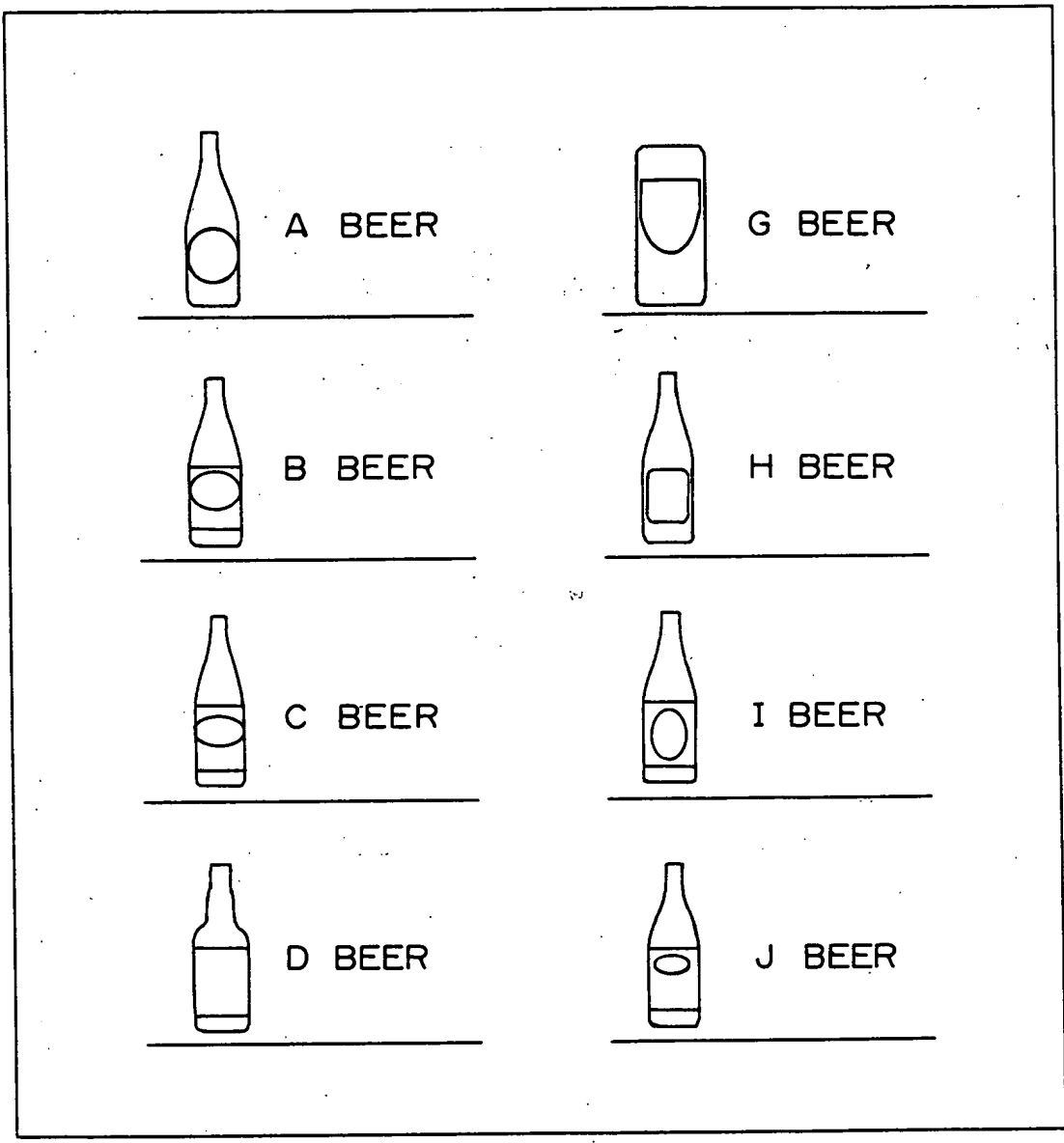


FIG. 7

APPROVED	O.G. FIG.	
BY	CLASS	SUBCLASS
DRAFTSMAN		

T E X T U A L D E S C R I P T I O N

```

50 {
  <cm>
  <title> BEER CM </title>
  <no> 43211234 </no>
  <housoukyoku > BSCDS </housoukyoku >
  <time> 20.10.05.11.2000 </time>
  <maker>BEER MAKER A</ maker>
  </cm>
  <body>
  <product1>
  <name> A BEER </name>
  <no> 975357 </no>
  <type> 6bottles </type>
  <¥price> 1800 </¥price>
  <characteristic>
  <taste>VERY BITTER</taste>
  <degree> 4% </degree>
  <material>HOP, MALT </ material>
  <image src = "image/Abeer.jpg"/>
  </characteristic>
  </product1>
  <product2>
  <name> B BEER </name>
  <no> 975360 </no>
  <type> 6bottles </type>
  <¥price> 1900 </¥price>
  <characteristic>
  <taste> NICE AND BITTER </taste>
  <degree> 4% </degree>
  <material> HOP </ material>
  <image src = "image/ Bbeer .jpg"/>
  </characteristic>
  </product2>
  .
  .
  .
  </body>

```

FIG. 8





APPROVED	O.G. FIG.	
BY	CLASS	SUBCLASS
DRAFTSMAN		

FOR "S&S"

- 1. SELECTING BY PRICE
- 2. SELECTING BY TASTE
- 3. SELECTING BY ALCOHOLIC DEGREE
- 4. SELECTING BY CHECKING ALL TABLES

FIG. 10

APPROVED	O.G. FIG.	
BY	CLASS	SUBCLASS
DRAFTSMAN		

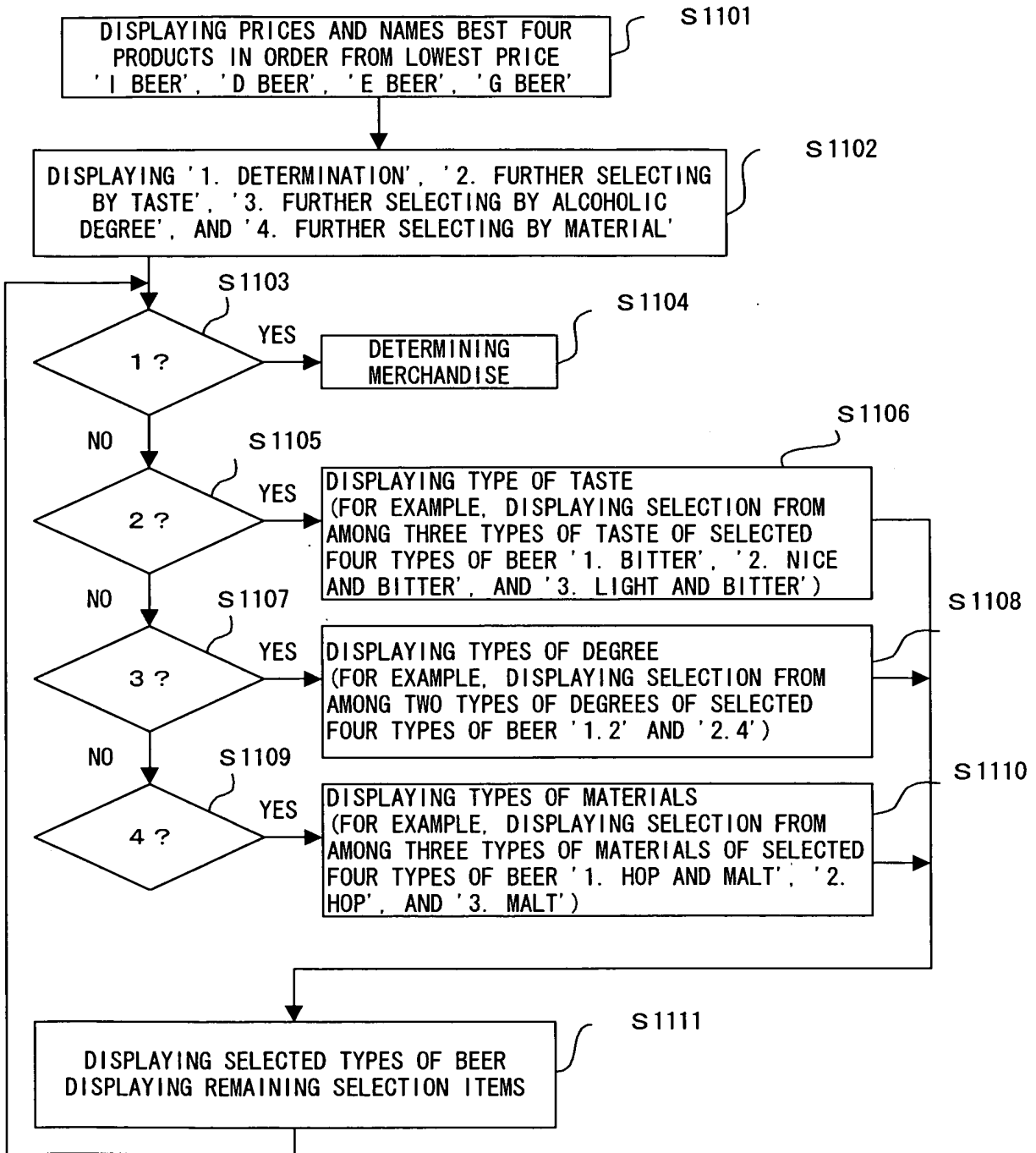


FIG. 11

APPROVED	O. S. H. G.	
BY	CLASS	SUBCLASS
DRAFTSMAN		

THE BEER TASTE TEST

NAME OF PRODUCT	UNIT PRICE	TASTE	DEGREES	MATERIAL
A BEER	220	VERY BITTER	4	HOP AND MOLT
B BEER	220	NICE AND BITTER	4	HOP
C BEER	230	CLEAR AND BITTER	4	HOP
D BEER	210	BITTER	4	MOLT
E BEER	210	NICE AND BITTER	4	HOP
F BEER	220	VERY BITTER	5	HOP AND MOLT
G BEER	210	LIGHT AND BITTER	2	HOP AND MOLT
H BEER	230	DEEP AND BITTER	5	HOP AND MOLT
I BEER	190	BITTER	4	HOP AND MOLT
J BEER	240	NICE AND BITTER	4	MOLT
K BEER	220	CLEAR AND BITTER	4	MOLT

FIG. 12

APPROVED	O.G. FIG.	
BY	CLASS	SUBCLASS
DRAFTSMAN		

50 51 52 53 54 55 56 57 58 59 60 61 62 63 64 65 66 67 68 69 70 71 72 73 74 75 76 77 78 79 80 81 82 83 84 85 86 87 88 89 90 91 92 93 94 95 96 97 98 99 100

```

50 {
  <selectd>
    <cm>
      <title>BEER CM </title>
      <no> 43211234 </no>
      <housoukyoku > BSCDS </housoukyoku >
      <time> 20.10.05.11.2000 </time>
      <maker> BEER MAKER A </ maker>
    </cm>
52 {
  <product>
    <name> A BEER </name>
    <prono> 975357 </prono>
    <type> 6bottles </type>
    <¥price> 1800 </¥price>
  </product>
</selectd>

```

FIG. 13

APPROVED	O.C.F.G.	
BY	CLASS	SUBCLASS
DRAFTSMAN		

```

50 { <buy>
      <cm>
        <title> BEER CM </title>
        <no> 43211234 </no>
        <housoukyoku > BSCDS </housoukyoku >
        <time> 20.10.05.11.2000 </time>
        <maker>BEER MAKER A </ maker>
      </cm>
52 { <product>
        <name> A BEER </name>
        <no> 975357 </no>
        <type> 6bottles </type>
        <¥price> 1800 </¥price>
53 { </product>
        <quantity> 4 </quantity>
54 { <member>
        <no> 531973 </no>
        <old> 34 </no>
        <sex> MALE </sex>
        <familytype> 3 </ familytype>
      </member>
    </buy>
  
```

FIG. 14

APPROVED	O.G. FIG.	
BY	CLASS	SUBCLASS
DRAFTSMAN		

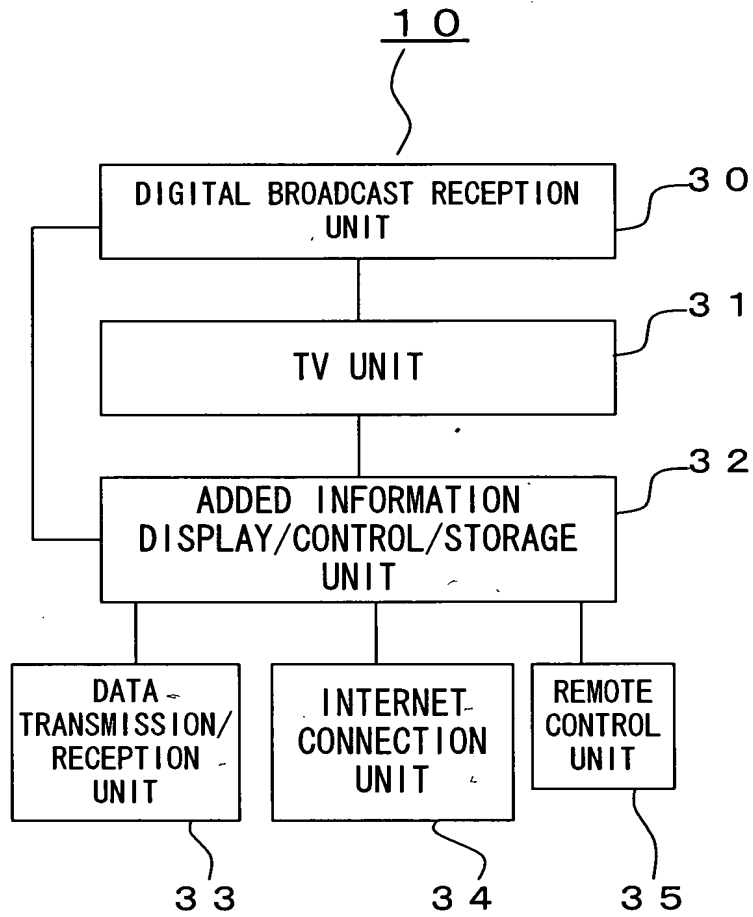
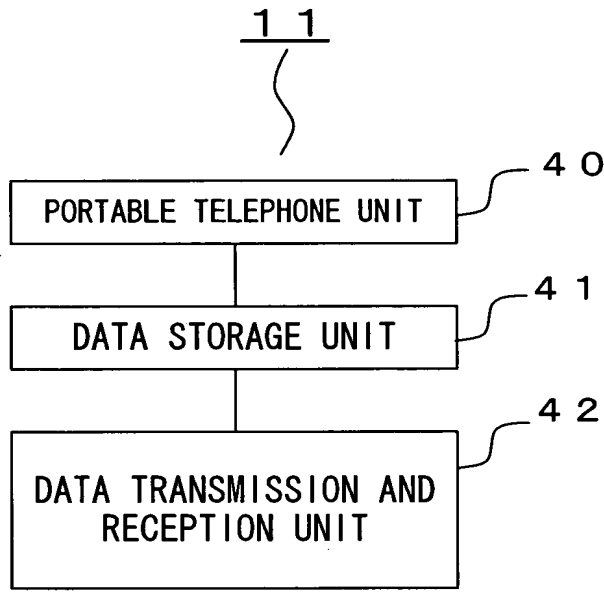
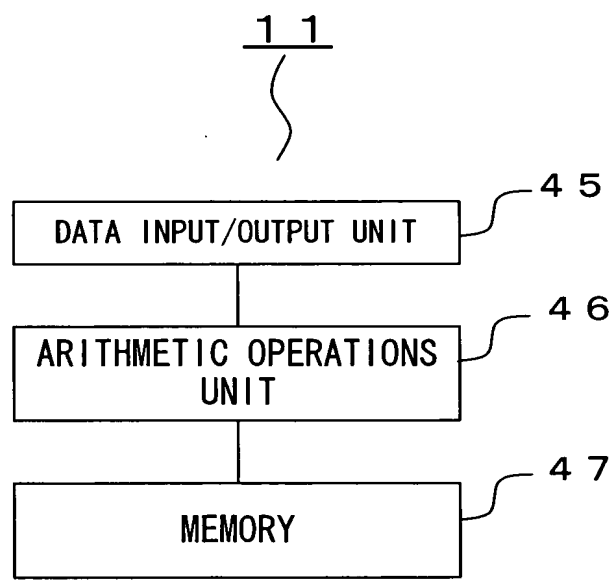


FIG. 15

APPROVED	C.G. FIG.	
BY	CLASS	SUBCLASS
DRAFTSMAN		



F I G. 1 6 A



F I G. 1 6 B

TOP SECRET



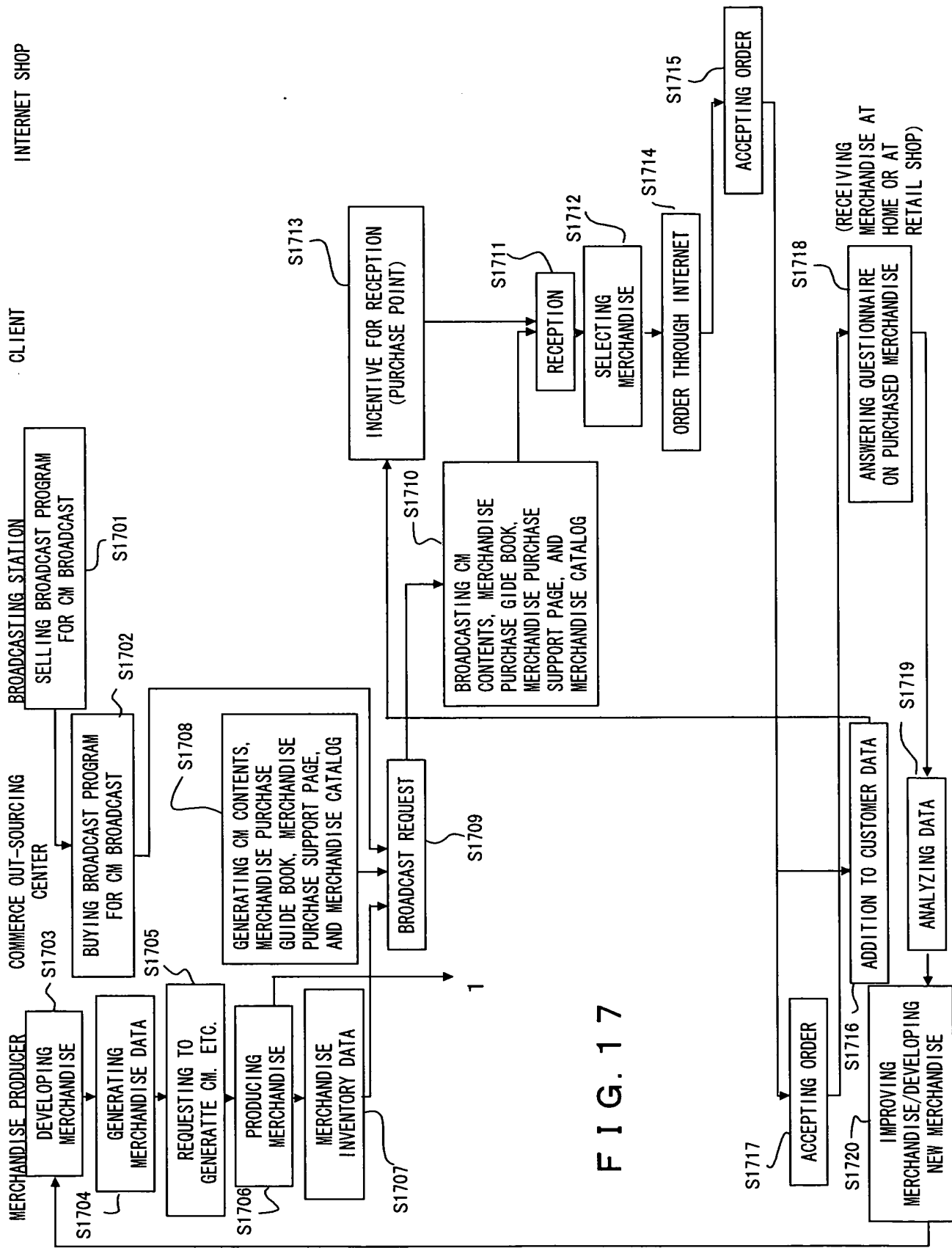


FIG. 17

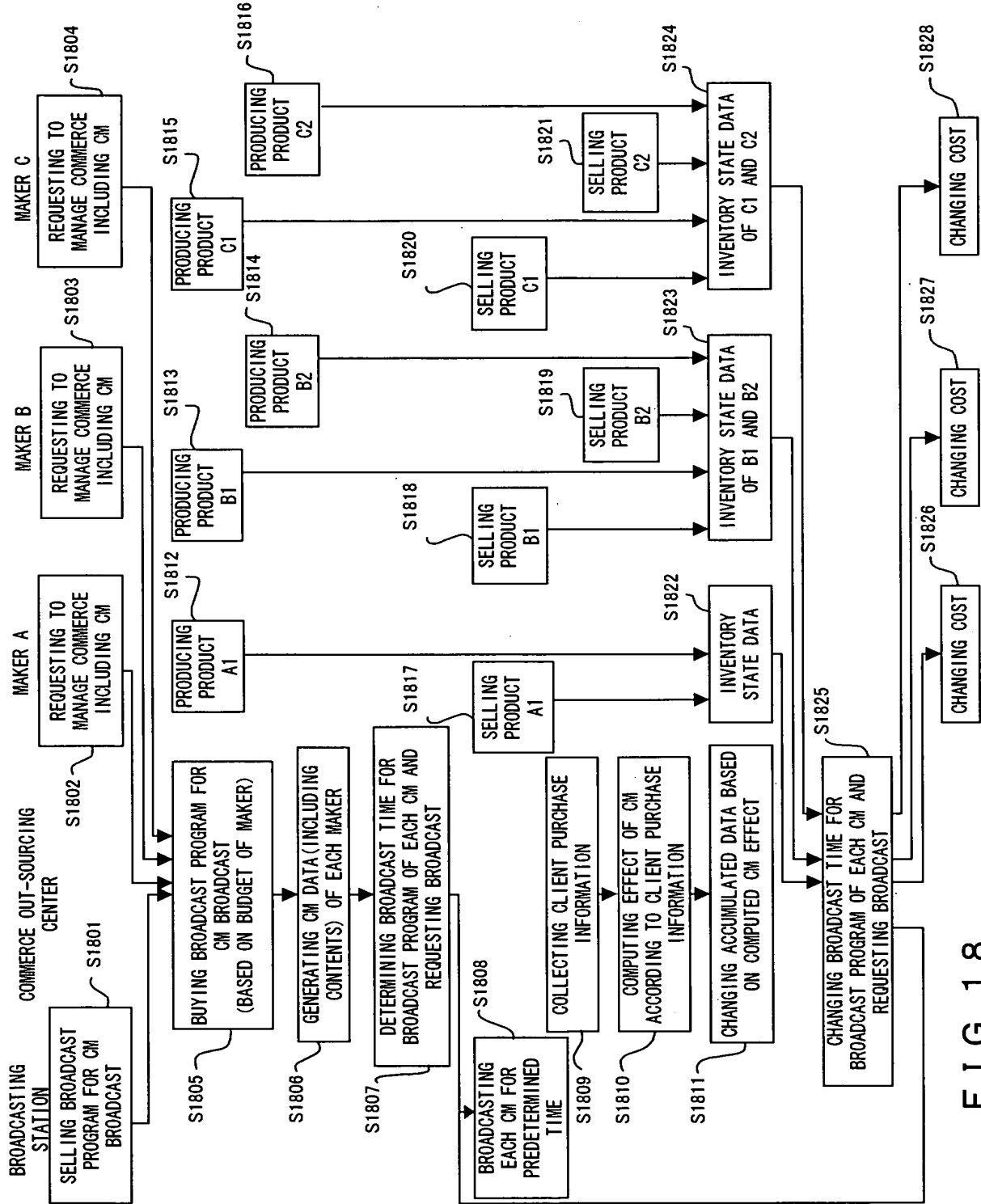


FIG. 18

APPROVED	O.G. FIG.	
BY	CLASS	SUBCLASS
DRAFTSMAN		

FIG. 19

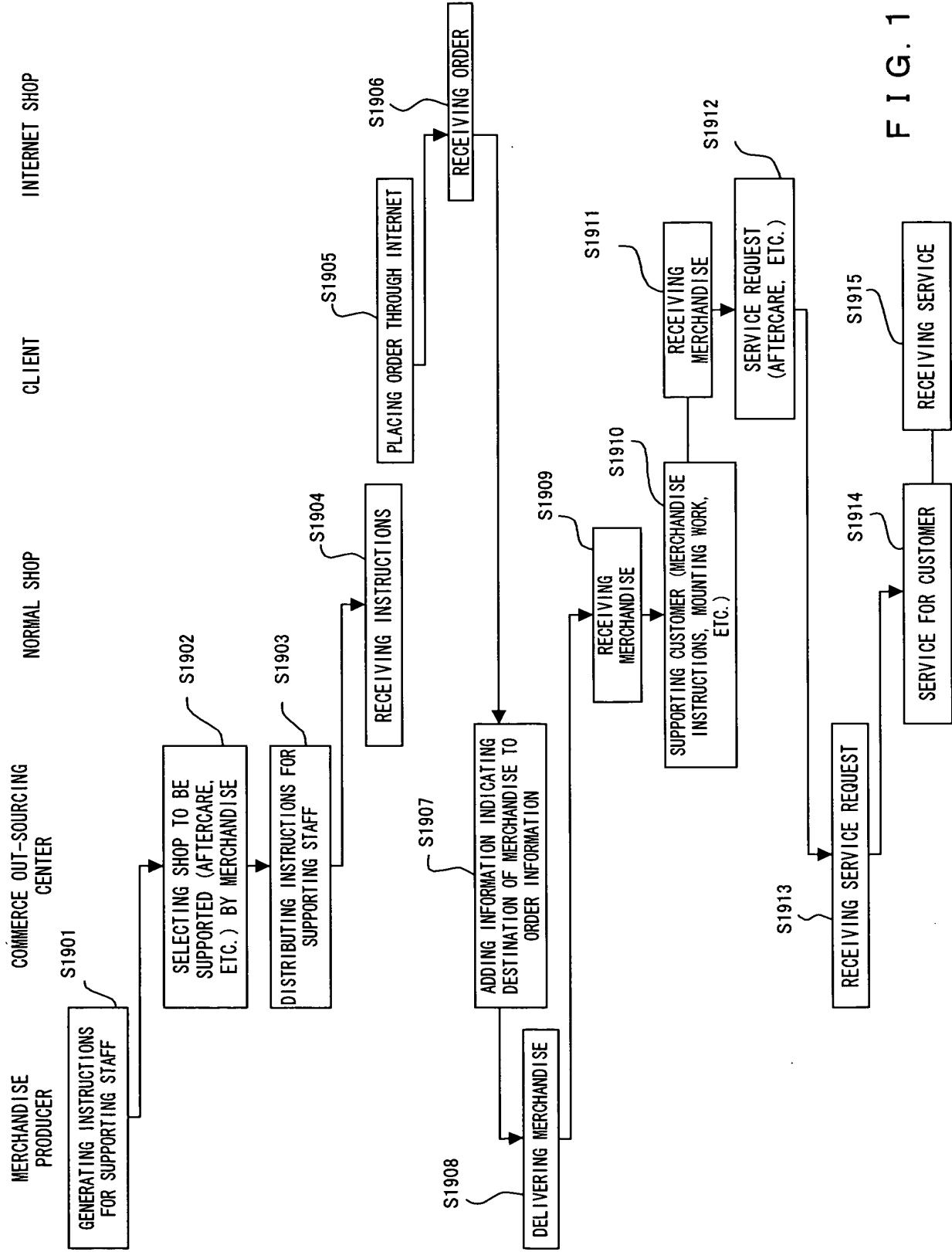


FIG. 19

APPROVED	O.G. FIG.	
BY	CLASS	SUBCLASS
DRAFTSMAN		

FIG. 20

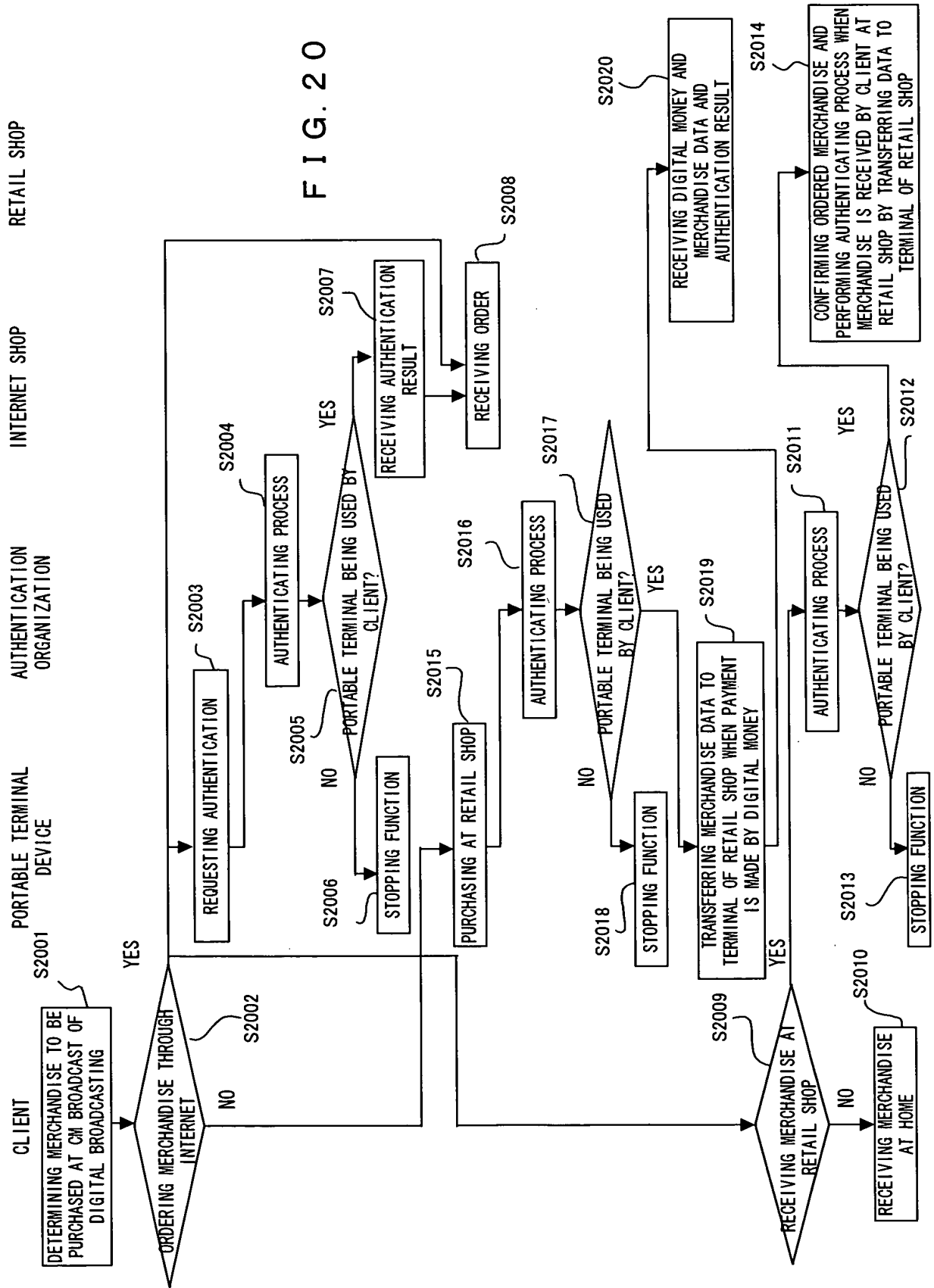


FIG. 20

